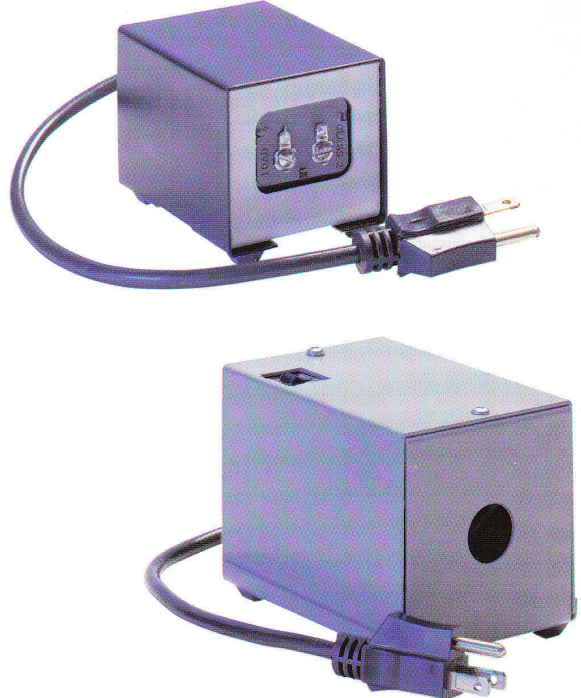


FTA Series

Energy and Non-energy Limiting Transformers

Cord Connected Plug-in Class 2 Transformers



Application:

These cord connected models provide a safe, convenient plug-in method for some popular models of our wire-in series.

Features:

- Rugged steel enclosure in two sizes. See dimension table below.
- 18" line cord is standard.
- Longer cords are available on special order.
- FTA 75 models also have a 1/2" conduit knockout for optional hard wiring of the primary.
- 4 protective rubber feet and keyhole mounting slots.
- FTA3716 is an attractive two-tone beige and black.
- FTA 75 models are painted ASA 61 grey.
- CSA certified to C22.2 No.223-M91.
- 37VA is an energy-limited design.
- 75VA utilizes a "trip-free" circuit breaker for current limiting.
- LR67731.

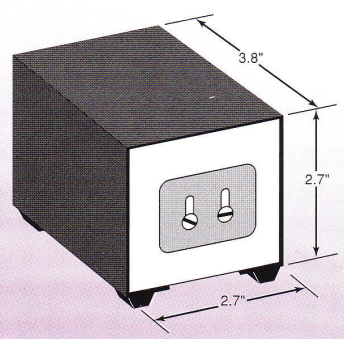
Models 120 Volt - 60Hz



Cat. No.	VA	Secondary (RMS)		Secondary (RMS) N.L. Volts	Size	Weight	
		Volts	Amps.			lb.	Kg
FTA3716	37	16.5	2.24	19.5	A	2.2	1.0
FTA7516	75	16	4.69	17.7	B	4.0	1.8
FTA7524	75	24	3.13	26.3	B	4.0	1.8

Dimensions

Size A



Size B

